



SEAT RANGE **ARC** STADIUM & ARENA





DISTINCT FAMILY LOOK

COMFORT & DURABILITY

MODULAR DESIGN

CONSISTENT MOUNTING SYSTEM

EASILY UPGRADED

REPAIR & MAINTENANCE FRIENDLY

EASY TO MODIFY SEAT LAYOUT



SHELL

The ARC family offers a complete range of seats from simple and economical to luxurious and exclusive. Its signature arc-shaped design incorporates a consistent style throughout, whilst delivering the key assets of comfort and durability.

Design: © Carsten Eichler



A



B



C



Three standard rack options to choose from | Powder coated in silver or black for indoor, hot-dip galvanised for outdoor applications. A) Console for riser mounting. B) Floor mounting sloped leg with 4 counter sunk fixing points. C) Floor mounting straight leg with 3 fixing points.

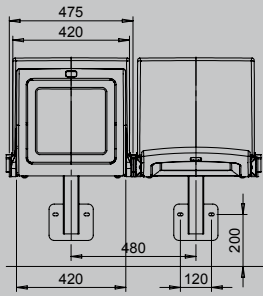
Pivot | Die-cast aluminium pivot for spring or counter-weight use.

ARC FAMILY

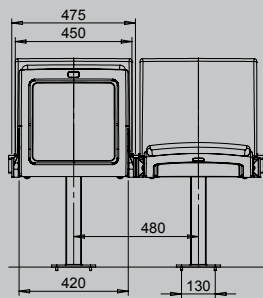


Plastic properties: All ARC seats (injection- or blow-moulded) are made of high-impact copolymer PP with UV additives. Available to upgrade to meet B1 / Crib 5 fire rating (DIN 4102-1 Baustoff-klasse B1 / BS5852 IS-0+1+5). Upholstered seats available in Trevira CS fabric or Vinyl.

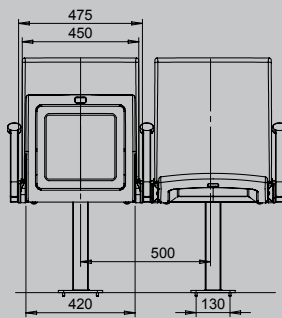




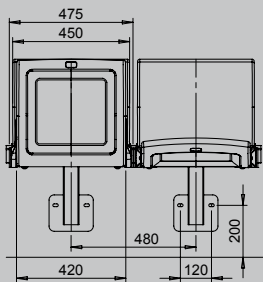
ARC LITE



ARC LITE PADDED



ARC LITE PLUS



ARC LITE COMPACT

ARC LITE COMPACT | developed to achieve the smallest closed depth possible to allow this series of seats to be incorporated into telescopic platforms.



ARC LITE COMPACT | Its extra slim backrest makes it the perfect seat for applications with retractable pedestal.



ARC LITE

ARC LITE PLUS | extended by an additional 10 cm, the double curved backrest continues in a natural fluid line to provide ergonomic support to the upper back.

ARC LITE | delivers outstanding comfort and durability due to its ergonomically designed, double-walled seat and backrest and a flexible mounting concept.



ARC LITE PADDED | price-conscious comfort with upholstered seat pads.



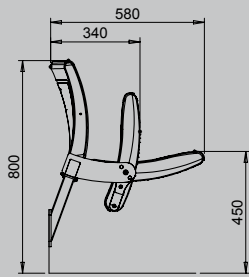
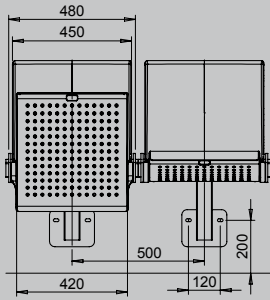
Acoustic pad | acoustically effective insert in the recessed seat area.



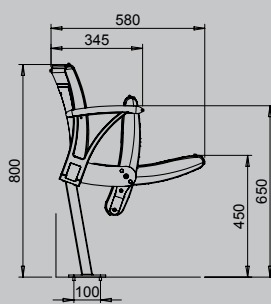
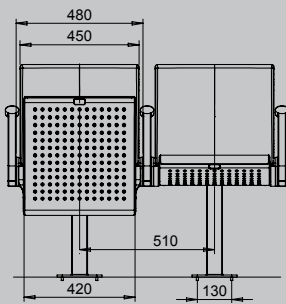
ARC LITE PLUS 45 | a narrow version with a width of 450 mm for applications with tighter seat layouts.



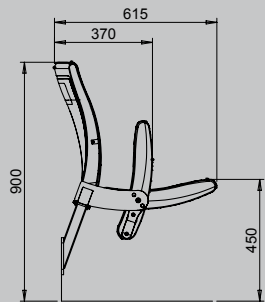
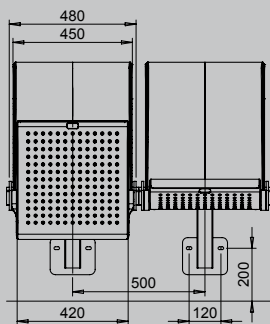
ARC LITE PLUS | with 10 cm higher backrest.



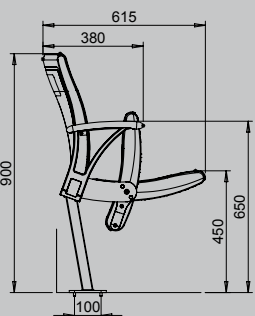
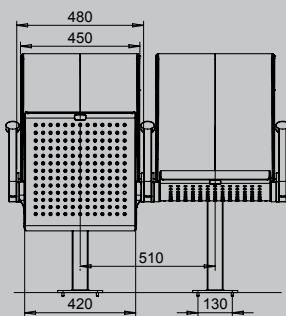
ARC ONE



ARC ONE & MULTI armrest



ARC ONE PLUS



ARC ONE PLUS & MULTI armrest

Comfort & Durability | Easily exchangeable, smoothly integrated upholstery pads for seat and backrest.



Outdoor shell: seat pan with closed simple structure.

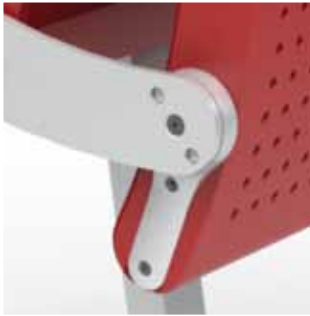
Indoor shell: seat pan with acoustic perforation.



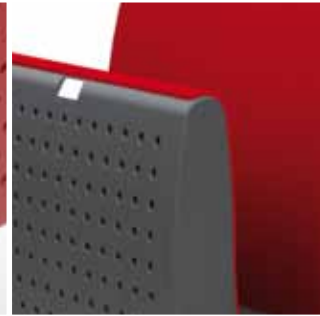
ARC ONE

ARC ONE | One for all: the ARC ONE, with upholstered seat and backrest, sophisticated surface texture, acoustic perforations and seat number.

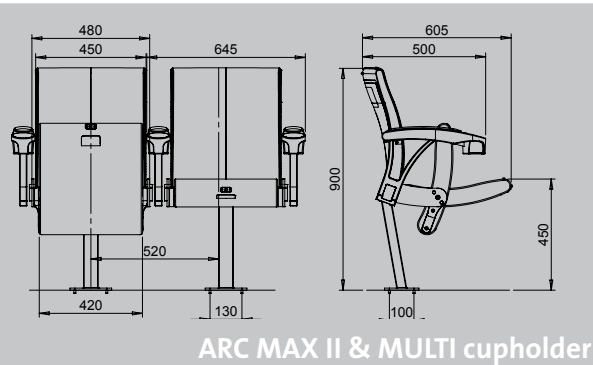
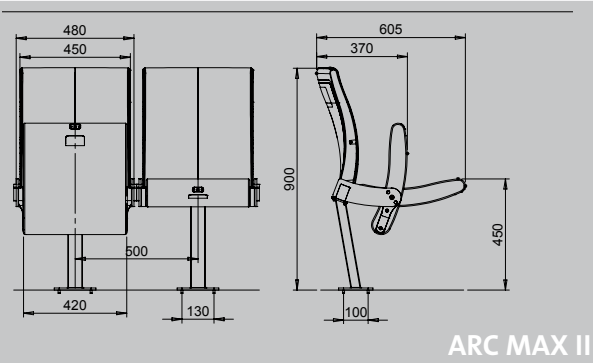
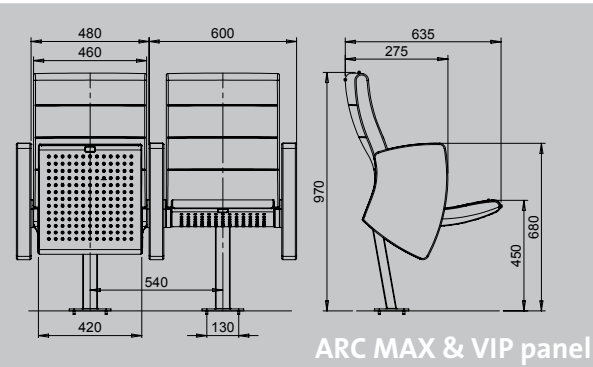
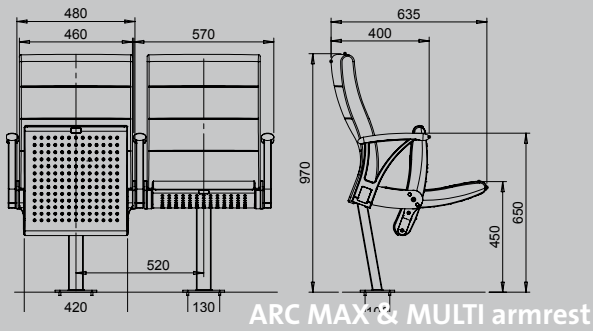
ARC ONE PLUS | An easy and effective upgrade for our basic ARC ONE seat is the plus version with 10 cm higher backrest for extra comfort and superior look.



Pivot: Well shaped slide-in pivot.



Mix & match: Well matched fabrics and vinyl materials and practically any plastic colour offer different aesthetic appearances.



Both the ARC MAX and the ARC MAX II seats can be individually upgraded with armrest, fully upholstered panel or cup holder.



Top: ARC MAX II with MULTI armrest
Bottom: with fully upholstered VIP armrest and cup holder.



ARC MAX | with extra high, fully upholstered backrest.

ARC MAX II | with a rigid plastic cover backrest and a high-end, fully upholstered seat with extra depth.



ARC MAX | back view



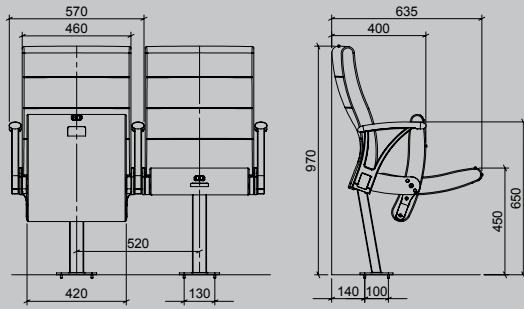
ARC MAX | open view



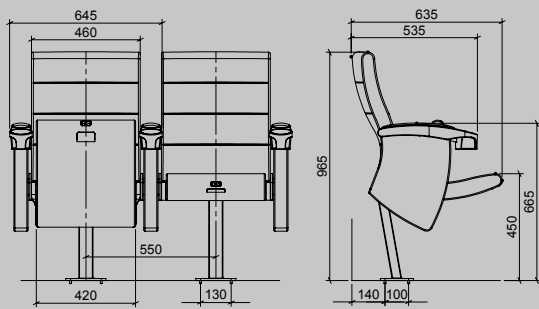
ARC MAX II | back view



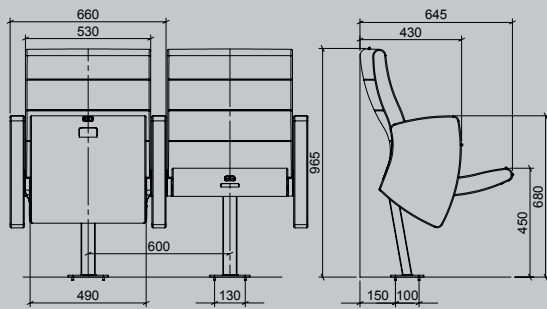
ARC MAX II | open view



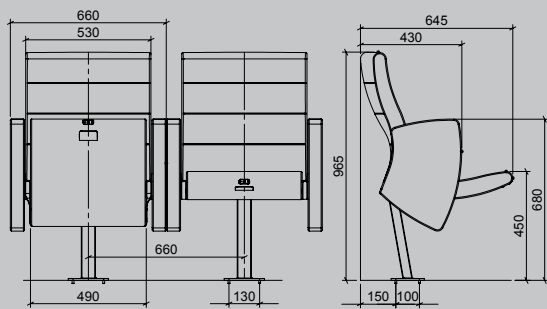
ARC VIP 48 & MULTI armrest



ARC VIP 48 & VIP cupholder

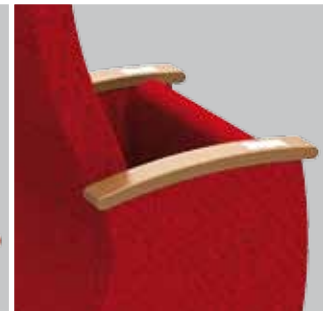


ARC VIP 55 & VIP shared arm



ARC VIP 55 & VIP double arm

A beautiful rear | Smoothly shaped back-side with hidden beam



Comfort deluxe | 3-dimensionally shaped seat ergonomics with elegant double stitching.

Sponsoring plate | Real wood top with optional recess for name or sponsoring plate.



ARC VIP

ARC VIP L & XL | The ARC VIP group leads the top of the range with fully upholstered ergonomically contoured high back and a long sprung seat with more leg support. Originally combined with a fully upholstered VIP armrest, the modular seat system offers a variety

of options. The small VIP seat is based on the ARC seat family's width of 480 mm w/o armrests making it very versatile for many applications. The wider version comes with a total width of 550 mm offering enough space for the most demanding applications.



MULTI armrest | Die-cast aluminium arm with PUR top.



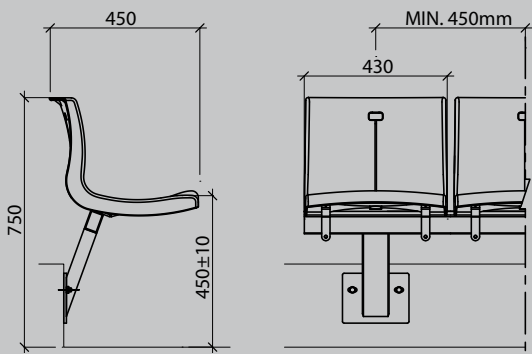
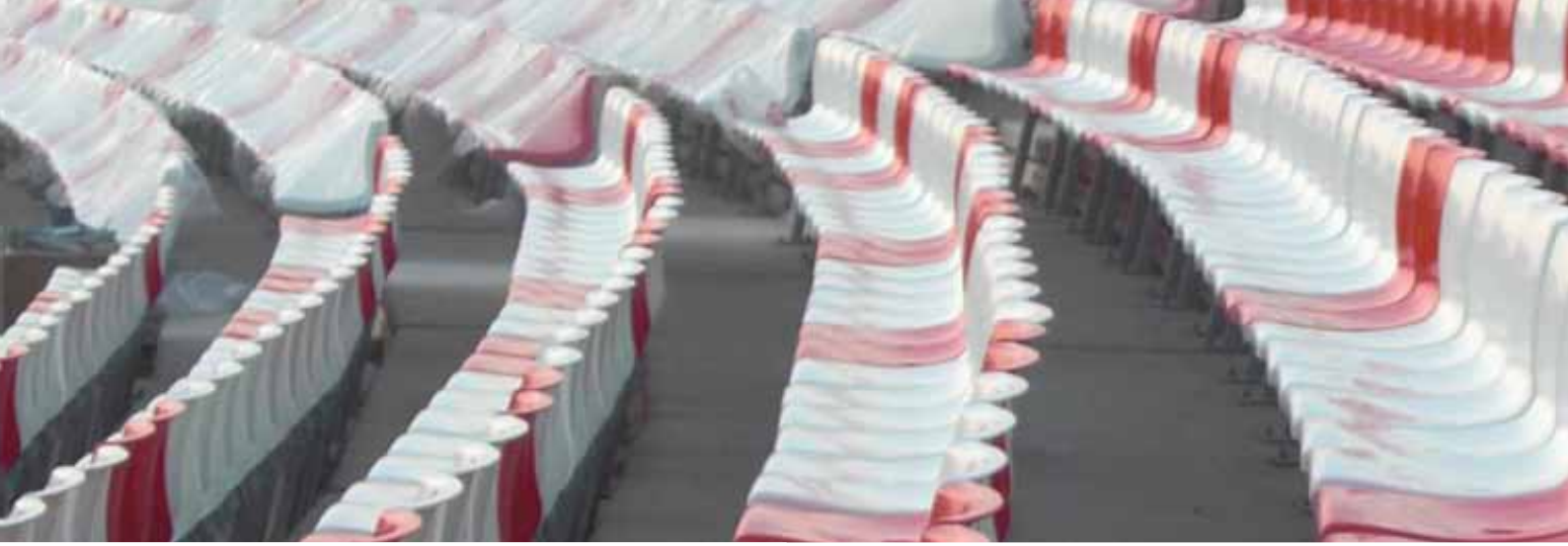
VIP panel | Fully upholstered panel, easy to position on beam.



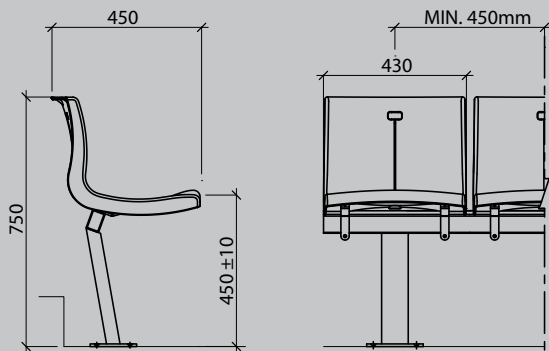
VIP armrest wood | Fully upholstered panel with real wood top.



VIP armrest cup | Fully upholstered panel with PP-cupholder.



ARC SHELL | riser mounted



ARC SHELL | floor mounted



National Stadium, Bahrain | .A.E.



ARC SHELL

Ergonomically shaped, highly comfortable injection moulded bucket seat, beam mounted.



Seat numbering | Plastic plate fitted within the recess of the backrest.



Mounting | Individually mounted on top of step or beam-mounted to allow maximum flexibility in alignment and reconfiguration.



ARC WRIMATIC | The Wrimatic tablet has been a best-seller for the past 15 years. Developed to be robust, durable and maintenance-free, this writing tablet has proven to be very popular with all levels of educational institutions as well as corporate auditoriums, training centres and convention centres. Having successfully adapted this tablet to suit the ARC family, it is now possible to match any model of the ARC family with the ARC Wrimatic.



ARC MULTI armrest | Die-cast aluminium carrier with PU top.

ARC MULTI wide armrest | with PP top, optionally upholstered.

ARC MULTI cupholder | front or back orientation, optionally upholstered.



ARC EXTRAS

ARC LED | LED-modules integrated into the seats brought another dimension to the grandstand of Meydan Racecourse in Dubai. 18,000 colour-changing seats became the world's biggest screen.



Night shots with illuminated, colour-changing seats



Safety rail | Customised solutions.



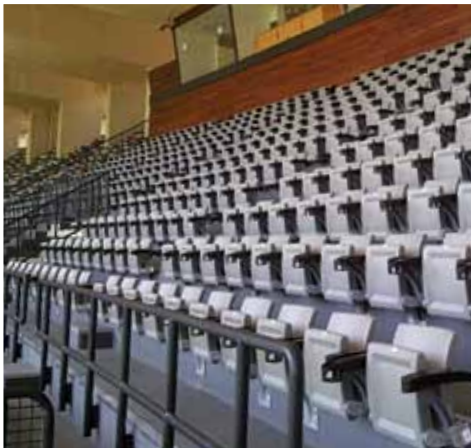
Press seat | single seat with swivel base.



Protective cover | fitted to your seat selection.



Seat heating | integrated into your VIP seat or backrest.



Zayed Stadium, Abu Dhabi | UAE



National Stadium Bahrain | UAE



ISA Sports Complex, Bahrain | UAE



ARC PROJECTS



Meydan Racecourse Dubai | UAE



Swimming Pool at Sports Complex Dubai | UAE



Freethielstadion Beveren | Belgium



Comtech Arena Aspach | Germany



Hoffenheim 1899 | Rhein-Neckar-Arena Sinsheim | Germany



VfB Stuttgart | Mercedes-Benz-Arena Stuttgart | Germany



ARC PROJECTS



SCHARrena Stuttgart | Germany | Photos © Friedrich Scharr KG



Margitsziget Budapest | Hungary



Allianz Park Saracens | United Kingdom



EHEIM Möbel GmbH Öhringen
Headquarters

Postfach 1325
74603 Öhringen | Germany

Tel.: +49 (0)7941 92 20-0
Fax: +49 (0)7941 92 20-30

info@eheim-moebel.de
www.eheim-moebel.de

Northern branch office

Ratsstr. 7
16269 Wriezen | Germany

Tel.: +49 (0)33456 15 94 01
Fax: +49 (0)33456 15 94 03

info@eheim-nlnord.de

EHEIM Seating Sp. z o.o.

ul. Kołowa 5/19
30-134 Kraków | Poland

Tel.: +48 12 313 44 17
Fax: +48 12 313 44 17

info@eheimseating.com
www.eheimseating.com